



Vortex

Time Indicating Device

Inventor and CEO: Hamid Azghadi

www.studioshohreh.com

H. Azghadi

SERIAL # / N° DE SÉRIE 2270

CLOCK MADE IN CANADA / JAPANESE MOVEMENT

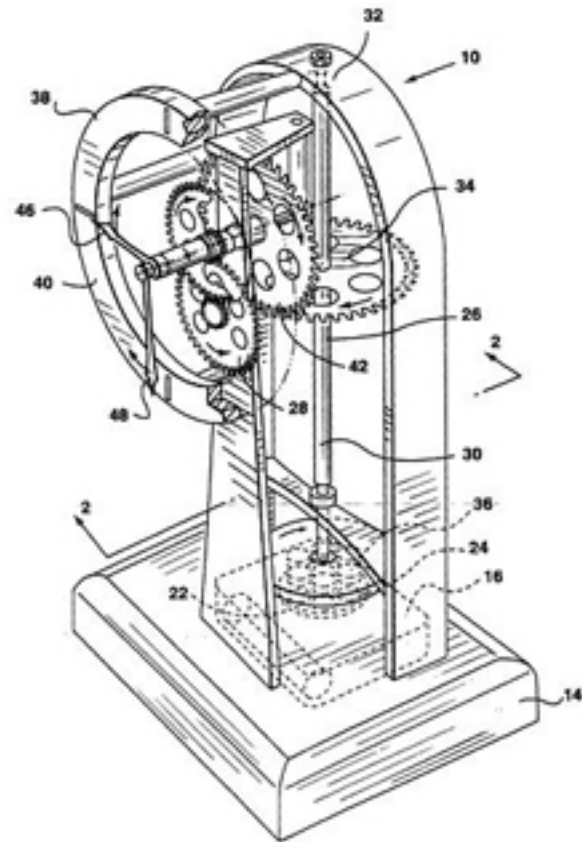
PENDULE FABRIQUEE AU CANADA / MOUVEMENT JAPONAIS



TIME INDICATING DEVICE HAVING A MAGNETIC MECHANISM

(WO/2001/046760)

- A timepiece with an exclusive movement concept
- Aside from the use of a variety of drive mechanisms to move the various components of the clock, this clock is comprised of a magnetic drive mechanism
- This invention allows for improved construction of the clock, more accurate time keeping and the ability to provide multiple faces for the timepiece



Wireframe Drawing of the Vortex clock

VORTEX

Vortex – HA1

- aluminum base and frame
- brass transfer mechanism
- brass trimming





Vortex – HA2

- brass base and frame
- brass transfer mechanism
- brass trimming





Vortex – HA3

- wooden base
- aluminum frame
- brass transfer mechanism



VORTEX

Vortex – HA4

- double-faced clock
- aluminum base and frame
- brass transfer mechanism
- brass trimming





Vortex – HA5

- aluminum base and frame
- brass transfer mechanism
- brass trimming



VORTEX



www.studioshohreh.com